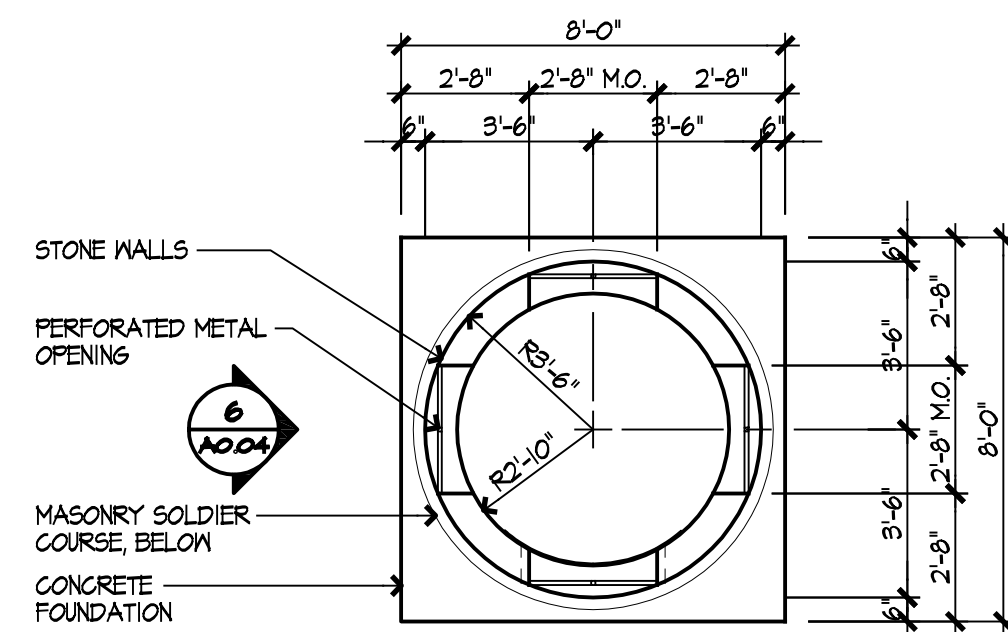
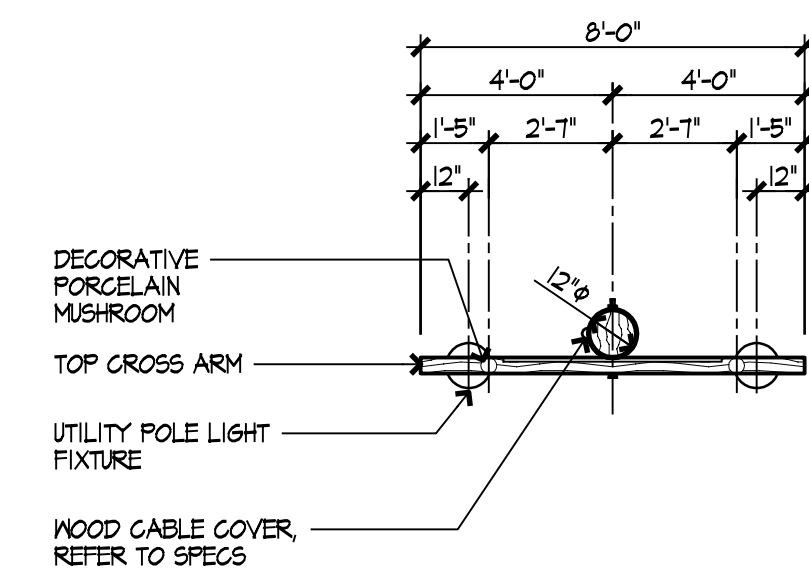


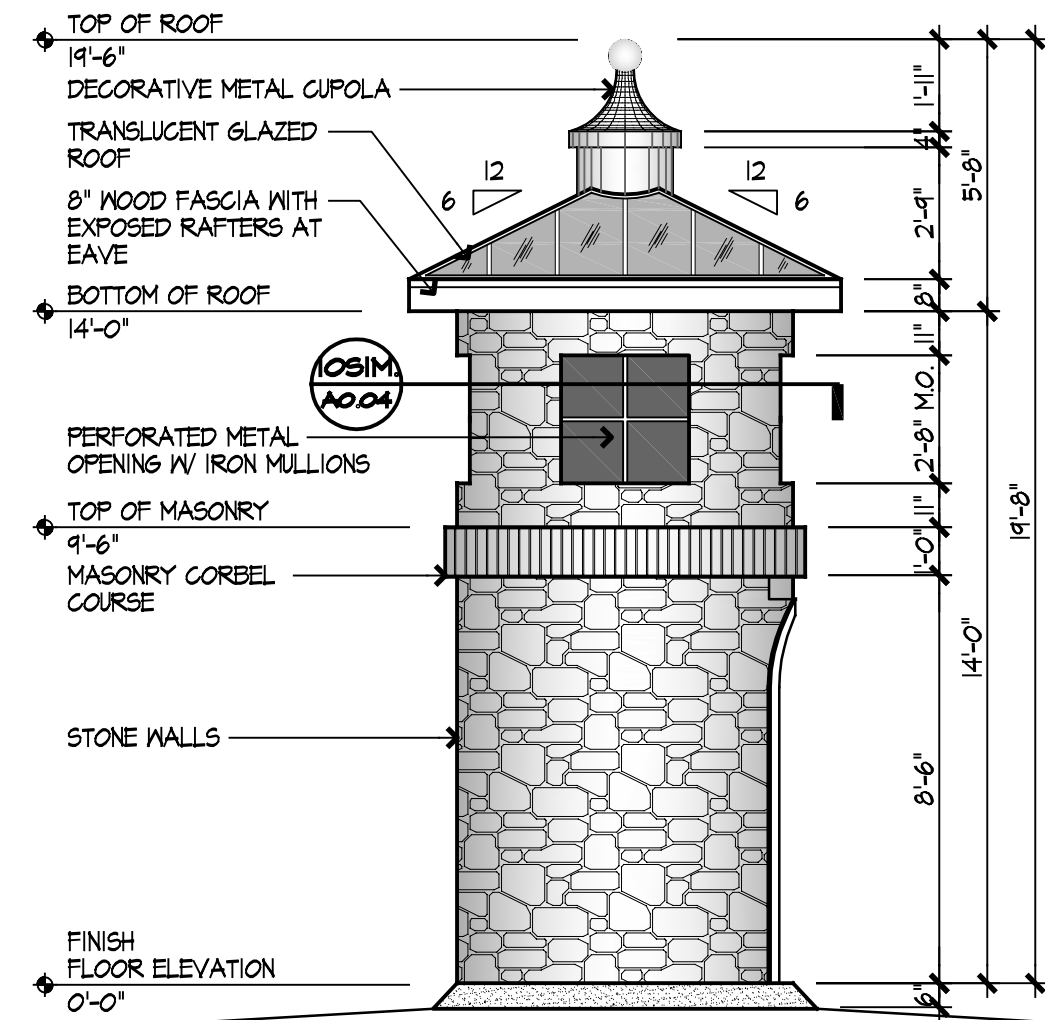
**9 ROOF PLAN**  
SCALE: 1/4"=1'-0"



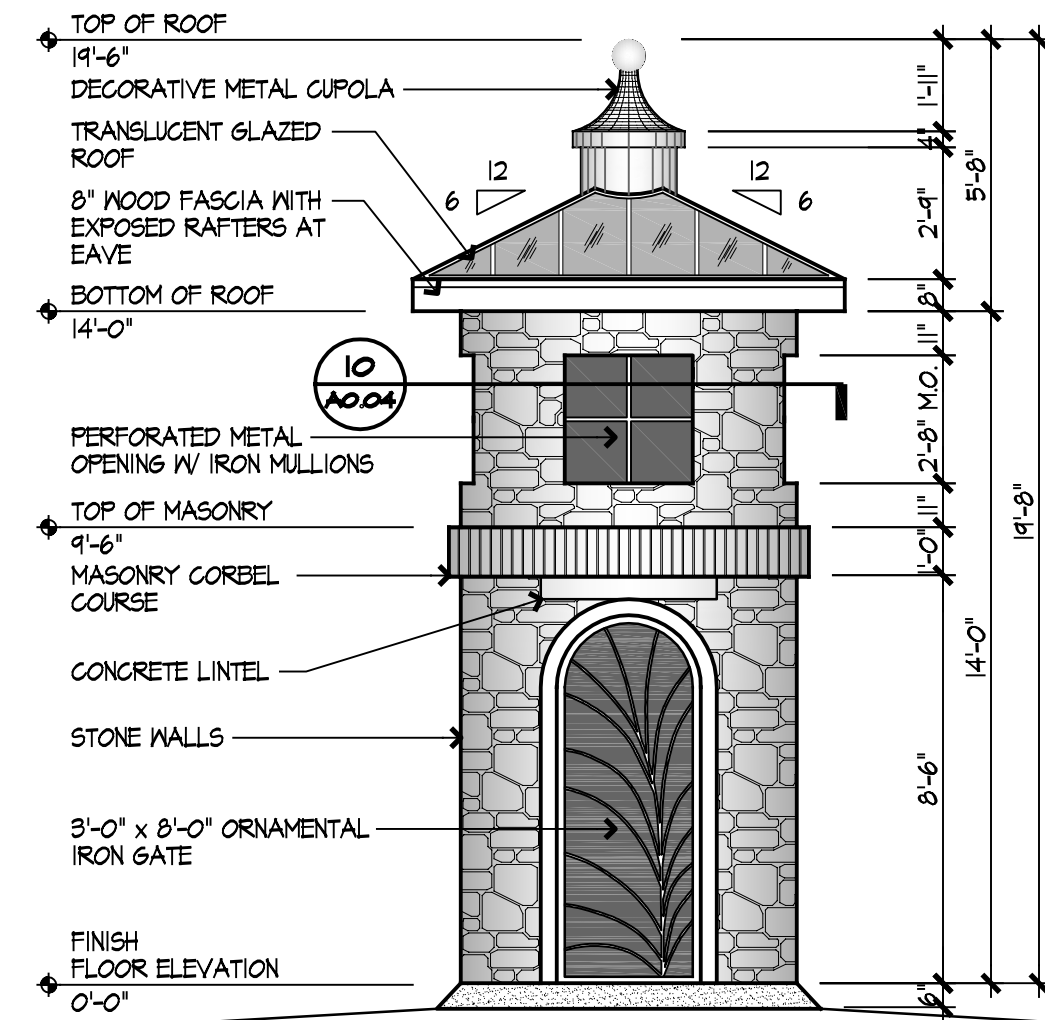
**10 PLAN**  
SCALE: 1/4"=1'-0"



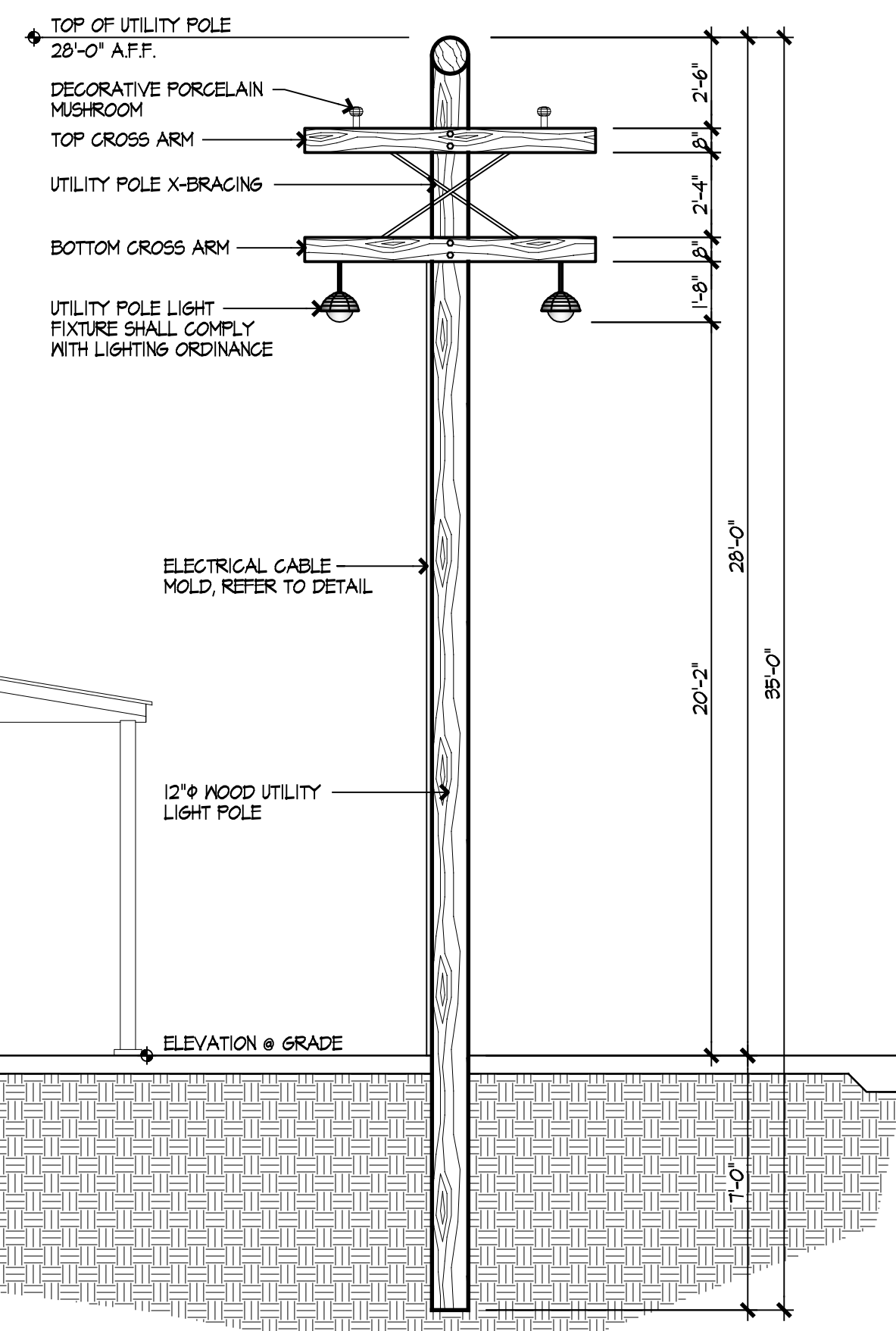
**11 PLAN**  
SCALE: 1/4"=1'-0"



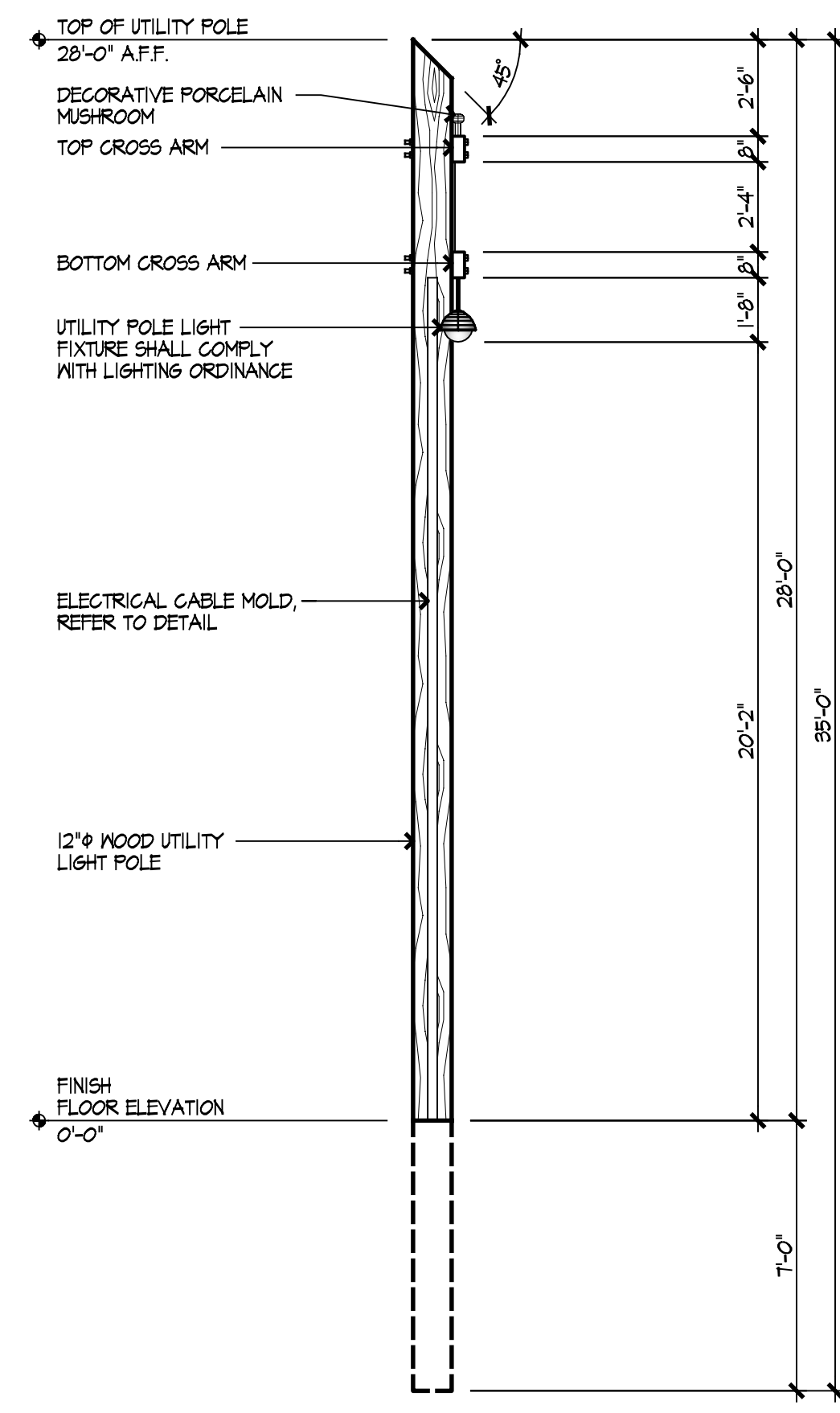
**6 ELEVATION**  
SCALE: 1/4"=1'-0"



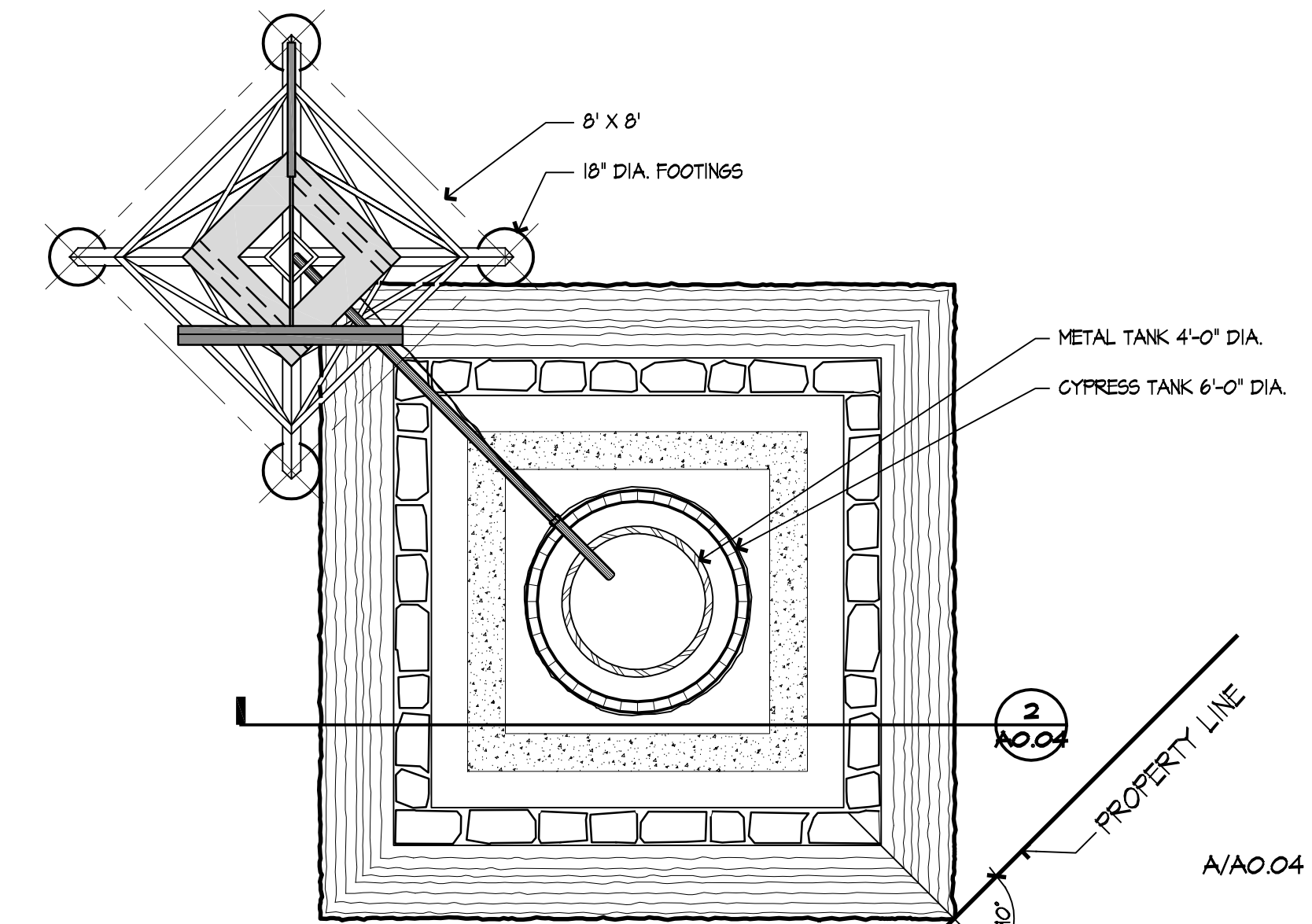
**4 ELEVATION**  
SCALE: 1/4"=1'-0"



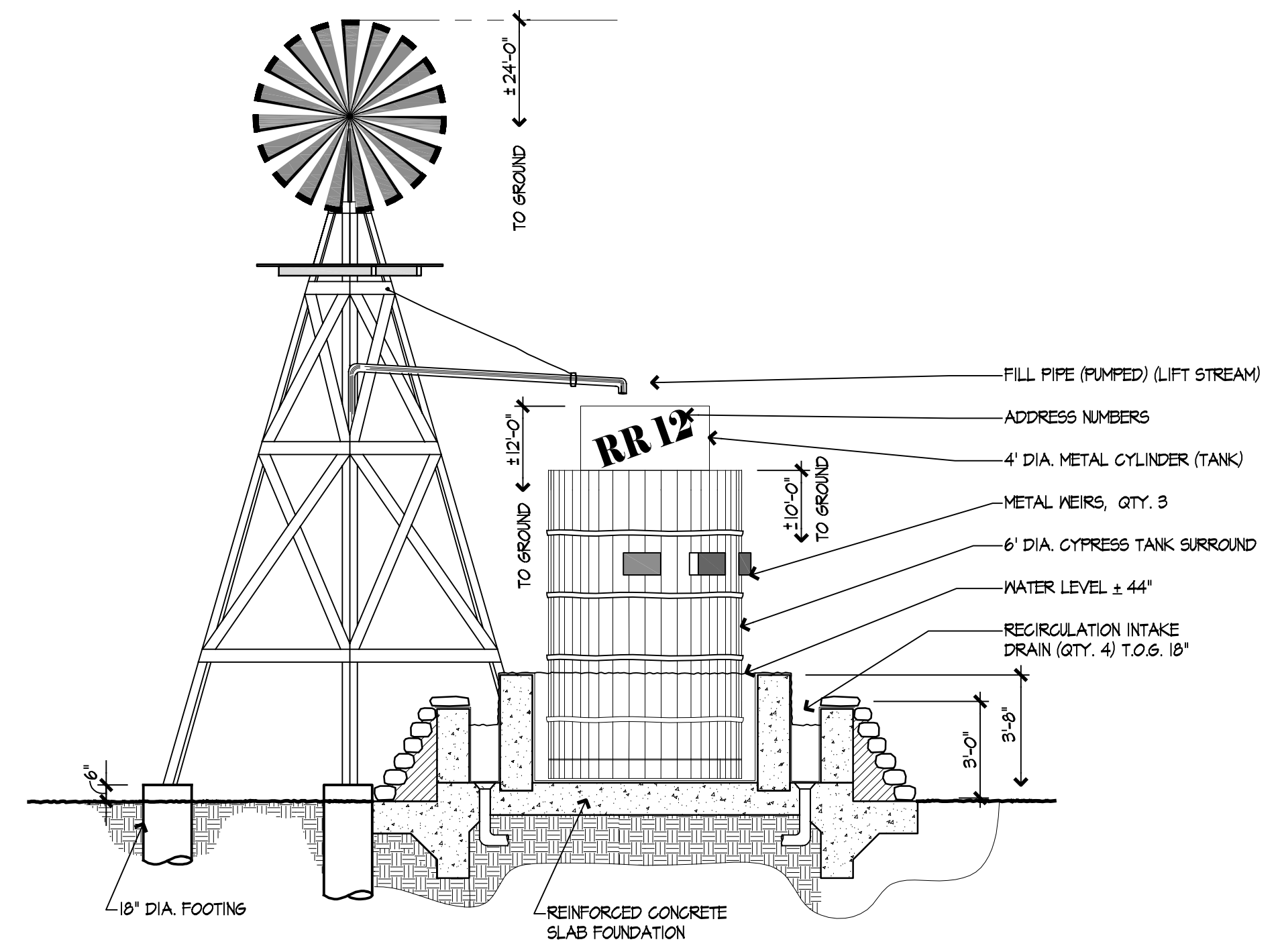
**7 SECTION**  
SCALE: 1/4"=1'-0"



**5 ELEVATION**  
SCALE: 1/4"=1'-0"



**1 PLAN**  
SCALE: 1/4"=1'-0"



**2 SECTION**  
SCALE: 1/4"=1'-0"

**CROSSROADS TOWN CENTER  
WIMBERLEY, TEXAS**  
**PARSHALL & ASSOCIATES ARCHITECTS**  
916 West 3rd Street, Suite A - Austin, Texas 78703  
phone: 512.477.1696 fax: 512.477.1693 email: parshall@sbcglobal.net

**PRELIMINARY**  
NOT FOR CONSTRUCTION  
BY REGULATORY APPROVAL OR PERMITS  
RUTH PARSHALL TRAEF  
JONIC PATTERSON TRAEF  
COPYRIGHT © 2006

REVISION	DATE	DESCRIPTION

<b>SITE DEVELOPMENT PLAN</b>	
ISSUE: CONCEPTUAL	DRAWN BY: RG
PROJECT#: 2006.000	CHECKED BY: RP/JCP
DATE: 08/11/06	DWG. FILE: A0.04.dwg

**A0.04**